



Macadams

Rotary Rack Oven 180-2



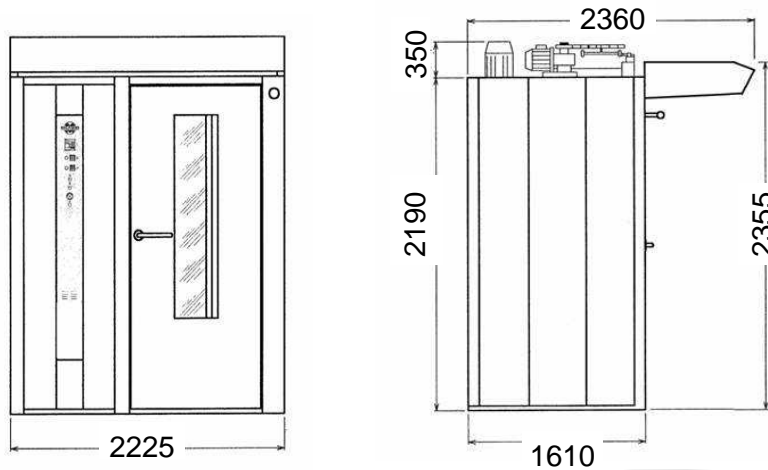
FEATURES & BENEFITS

- Easy maintenance.
- Platform system with ramp.
- Simple control panel.
- 2 racks / bake.
- Electrical or fuel execution.
- Canopy optional.
- High grade stainless steel design
- Robust design.



	M180-2
Power Rating (kW)	Electrical : 70 Fuel : 103 (burner) 3.0 Electrical
Supply Voltage (V)	400 V, 50 Hz 3 phase, neutral & earth. Other voltages available on request.
Control Voltage (V)	230
Current Rating at 400 V	Electrical : 103 A Fuel : 5 A
Baking Surface (m²)	12.6
Product: Standard Bread: 600 - 900 g Rolls: 60 g (6 x 4 / tray) Baguettes: 500 g (5 fluted trays) Pies (foil): 100 g (6 x 4 / tray)	Capacity 180 72 dozen 180 72 dozen
Capacity:	2 by 457 x 762 mm / shelf 1 by 800 x 1000 mm / shelf
Weight (kg)	Electrical : 1733 Fuel : 1816

Oven dimensions in mm: exclude all protrusions (door handles, drain exits etc).
Allow an additional 200mm for protrusions



Contact Details

HEAD OFFICE, EXPORTS & CAPE TOWN BRANCH Tel : +27 (21) 907-1000 Fax : +27 (21) 907-1111

JOHANNESBURG BRANCH Tel : (011) 472-4100 Fax : 086 618 6462

DURBAN BRANCH Tel : (031) 569-6290 Fax : (031) 569-6296

EMAIL info@macadams.co.za

WEBSITE www.macadams.co.za