



# Macadams 180-2

## Rack Oven with Smart Controller



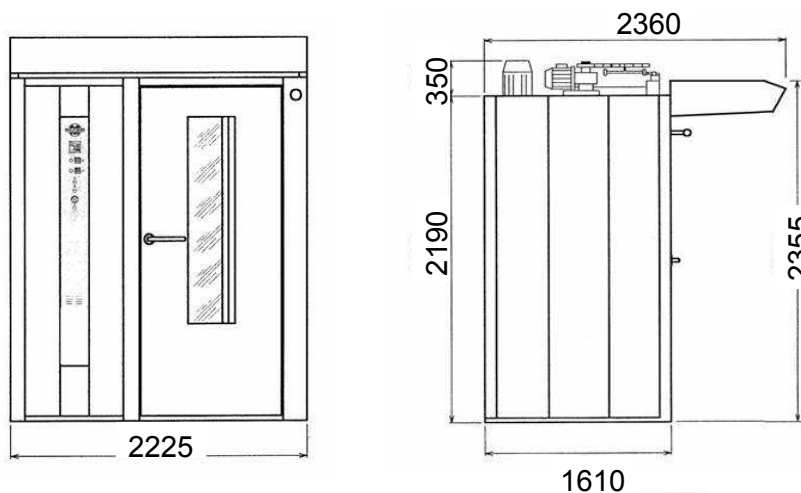
### FEATURES & BENEFITS

- New Smart Controller design.
- Platform system with ramp.
- New smart control panel.
- 2 racks / bake.
- Electrical or fuel execution
- Canopy optional
- High grade stainless steel design
- Easy maintenance
- Auto extractor
- Auto damper
- Intuitive controls
- Robust design



M180 RACK OVEN With Smart Controller	
<b>Power Rating (kW)</b>	Electrical : 70 Fuel : 103 (burner) 3.0 Electrical
<b>Supply Voltage</b>	400 V, 50 Hz 3 phase, neutral & earth. Other voltages available on request.
<b>Control Voltage (V)</b>	230 AC / 24 DC
<b>Current Rating at 400 V</b>	Electrical : 103 A Fuel : 5 A
<b>Baking Surface (m<sup>2</sup>)</b>	12.6
<b>Product:</b> Standard Bread: 600 - 900 g Rolls: 60 g (6 x 4 / tray) Baguettes: 500 g (5 fluted trays) Pies (foil): 100 g (6 x 4 / tray)	<b>Capacity</b> 180 72 dozen 180 72 dozen
<b>Capacity:</b>	2 by 457 x 762 mm / shelf 1 by 800 x 1000 mm / shelf
<b>Weight (kg)</b>	Electrical : 1733 Fuel : 1816

Oven dimensions in mm: exclude all protrusions (door handles, drain exits etc).  
Allow an additional 200mm for protrusions



## Contact Details

HEAD OFFICE, EXPORTS & CAPE TOWN BRANCH Tel : +27 (21) 907-1000 Fax : +27 (21) 907-1111

JOHANNESBURG BRANCH Tel : (011) 472-4100 Fax : 086 618 6462

DURBAN BRANCH Tel : (031) 569-6290 Fax : (031) 569-6296

EMAIL [info@macadams.co.za](mailto:info@macadams.co.za)

WEBSITE [www.macadams.co.za](http://www.macadams.co.za)